



M Profile

Stainless Steel Press Fitting



WIDE
SIZE RANGE



HIGH
QUALITY MATERIALS

WRAS

APPROVED

DVGW

APPROVED



BASTION
INDUSTRIES

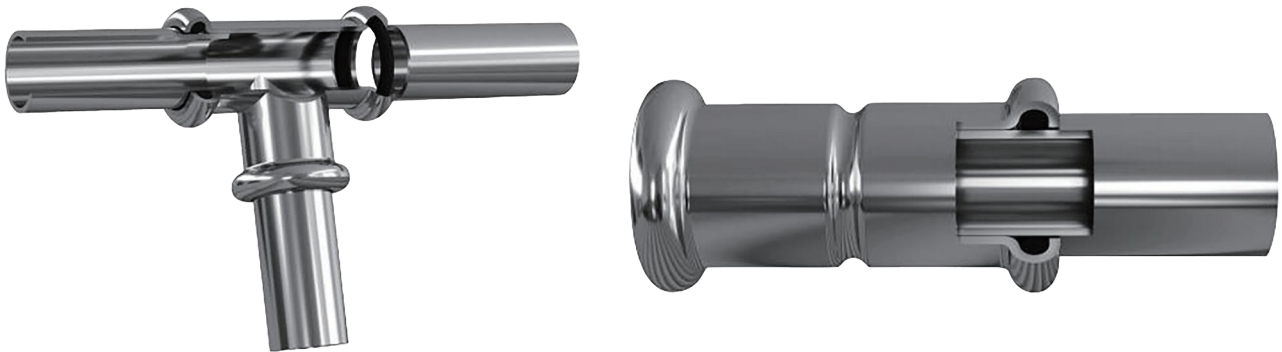
Product Overview



BASTION M Profile Press Fittings

BASTION M Profile Press Stainless Steel Fittings are crafted from high-quality stainless steel, incorporating a durable black EPDM (Ethylene Propylene Diene Monomer) 'O' ring.

These fittings are designed for the efficient and rapid jointing of Copper tubes conforming to BS EN 1057 R250 and R290 standards, as well as stainless steel tubes conforming to EN 10217-7 and EN ISO 1127 standards, available in sizes ranging from 15mm to 54mm.



Features

High-Quality Materials:

Made from premium stainless steel for exceptional corrosion resistance, durability, and long-term reliability.

Wide Size Range:

Available in sizes from 15mm to 54mm to accommodate various industrial, commercial and residential applications.

Electrical Continuity:

Ensures assured electrical continuity upon completing the M Profile Press joint, ideal for applications requiring grounding performance.

Clean, Heat-Free Jointing:

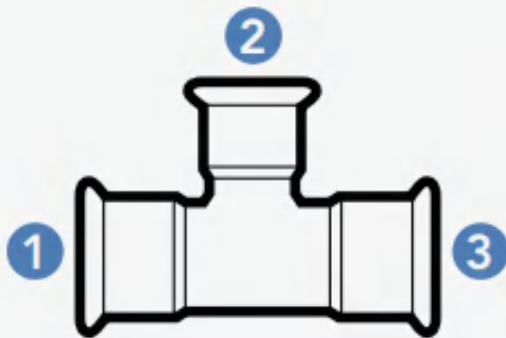
Facilitates a clean jointing process without the need for heat, avoiding material deformation and maintaining the integrity of the stainless steel structure.

Safety: Eliminates the need for naked flames, hot work permits or costly insurance; stainless steel's inherent high-temperature resistance further enhances operational safety.

Certifications: WRAS Approved DVGW Approved

Temperature Rating: Operates effectively within a temperature range of -40°C to 120°C, wider than standard copper fittings to suit more extreme working environments.

Tee Specification



specification

Quote the larger end first, then the branch, followed by the remaining end.

eg: 22 x 15 x 22

Warranty Information

The Bastion M Profile Press Stainless Steel fittings come with a 40-year installed warranty. This warranty is valid when the fittings are installed alongside other pipeline components from manufacturers that conform to the specified standards.



Applications

BASTION M Profile Press fittings are suitable for a variety of applications including:

- Hot and cold water services
- Vented and unvented closed circuit heating systems
- Chilled water systems
- Oil-free compressed air systems

These fittings provide a reliable solution within permissible pressure and temperature limits, ensuring safety and efficiency in various installations.

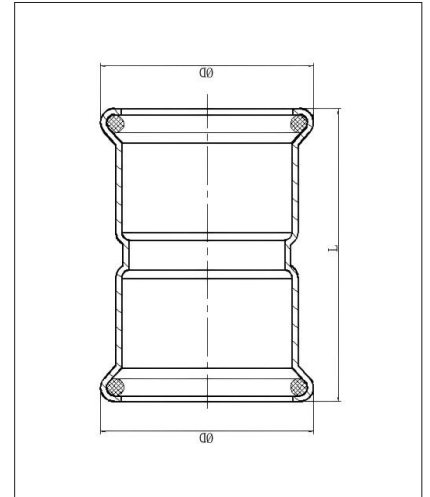
SSKM 101

Straight Coupling

Connection: Press x press



CODE	SIZE	L	ØD	ØD	QTY/CTN
SSKM101-S1515	15x15mm	48	23.3	23.3	150
SSKM101-S2222	22x22mm	50	31.5	31.5	80
SSKM101-S2828	28x28mm	54	37.2	37.2	50
SSKM101-S3535	35x35mm	65	44	44	40
SSKM101-S4242	42x42mm	73.5	53.3	53.3	20
SSKM101-S5454	54x54mm	86	65.4	65.4	12



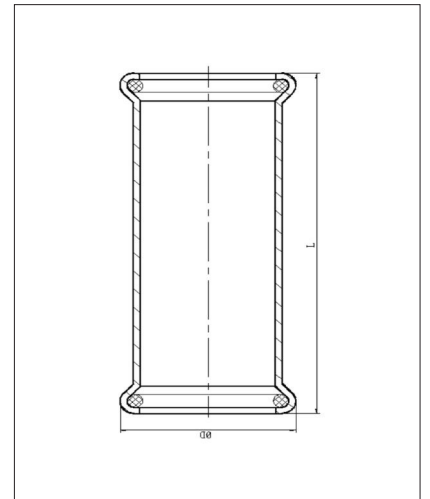
SSKM 102

Slip Coupler

Connection: Press x press (without tube stop)



CODE	SIZE	L	ØD	QTY/CTN
SSKM102-S1515L	15x15mm	68	23.3	100
SSKM102-S2222L	22x22mm	74	31.6	60
SSKM102-S2828L	28x28mm	84	37.1	30
SSKM102-S3535L	35x35mm	103	44	45
SSKM102-S4242L	42x42mm	116	53.3	30
SSKM102-S5454L	54x54mm	141	65.4	8



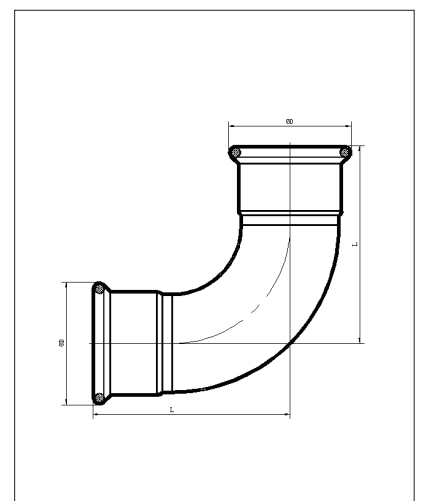
SSKM 103

Elbow fitting

Connection: Press x press



CODE	SIZE	L	ØD	QTY/CTN
SSKM103-L1515	15x15mm	44	23.2	100
SSKM103-L2222	22x22mm	57.4	31.6	50
SSKM103-L2828	28x28mm	65.4	37.2	30
SSKM103-L3535	35x35mm	80.6	44	12
SSKM103-L4242	42x42mm	94.2	53.3	8
SSKM103-L5454	54x54mm	115.2	65.4	4



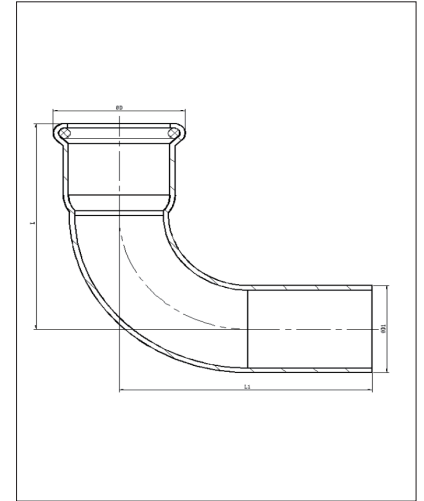
SSKM 104

Street Elbow

Connection: Press x male end for insertion into a Press fitting



CODE	SIZE	L1	L2	ØD	ØD2	QTY/CTN
SSKM104-L1515	15x15mm	44	52	23.2	15.8	100
SSKM104-L2222	22x22mm	57	61.6	31.6	20	50
SSKM104-L2828	28x28mm	66	71.4	37.2	28	30
SSKM104-L3535	35x35mm	81	81.5	44	35	12
SSKM104-L4242	42x42mm	95	102.6	53.3	42	8
SSKM104-L5454	54x54mm	115	116.2	65.4	54	4



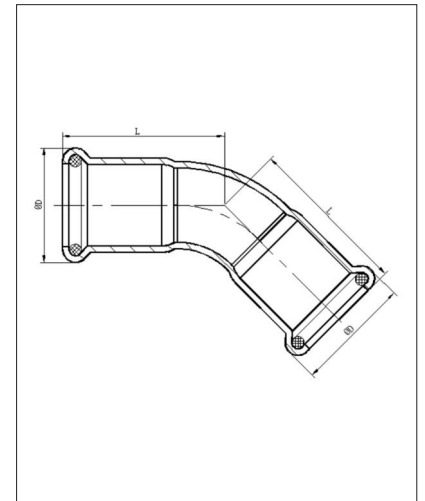
SSKM 105

Obtuse Elbow

Connection: Press x press



CODE	SIZE	L	ØD	QTY/CTN
SSKM105-L1515	15x15mm	37	23.3	120
SSKM105-L2222	22x22mm	42	31.6	60
SSKM105-L2828	28x28mm	48	37.2	40
SSKM105-L3535	35x35mm	55	44.3	20
SSKM105-L4242	42x42mm	65	53.3	12
SSKM105-L5454	54x54mm	78	65.4	6



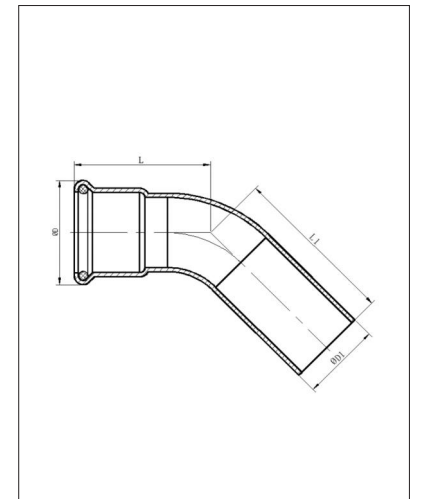
SSKM 106

Obtuse Street Elbow

Connection: Press x male end for insertion into a Press fitting



CODE	SIZE	L	L1	ØD	ØD1	QTY/CTN
SSKM106-L1515	15x15mm	37	44	23.3	15	120
SSKM106-L2222	22x22mm	42	44.8	31.6	22	60
SSKM106-L2828	28x28mm	48	50.1	37.2	28	40
SSKM106-L3535	35x35mm	55	54.9	44	35	20
SSKM106-L4242	42x42mm	65	70.6	53.3	42	12
SSKM106-L5454	54x54mm	78	75.1	65.4	54	6



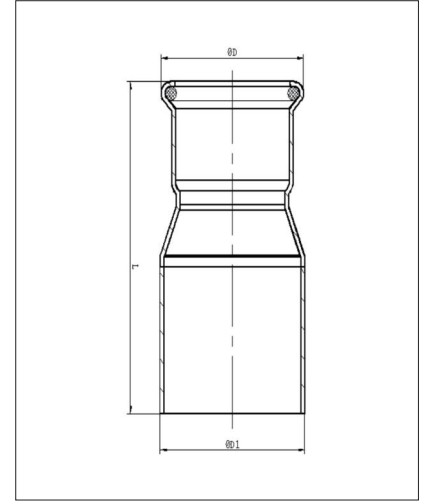
SSKM 108

Socket Reducer

Connection: Larger x male end for insertion into fitting x Press



CODE	SIZE	L	ØD	ØD1	QTY/CTN
SSKM108-S2215	22x15mm	79.4	23.3	22	80
SSKM108-S2815	28x15mm	81.4	23.3	28	60
SSKM108-S2822	28x22mm	83	31.6	28	60
SSKM108-S3522	35x22mm	84	31.6	35	40
SSKM108-S3528	35x28mm	73	37.2	35	40
SSKM108-S4222	42x22mm	90	31.6	42	20
SSKM108-S4228	42x28mm	92.7	37.1	42	24
SSKM108-S4235	42x35mm	95	44	42	16
SSKM108-S5422	54x22mm	94	31.6	54	16
SSKM108-S5428	54x28mm	94	37.2	54	12
SSKM108-S5435	54x35mm	103	44	54	12
SSKM108-S5442	54x42mm	104	53.3	54	12



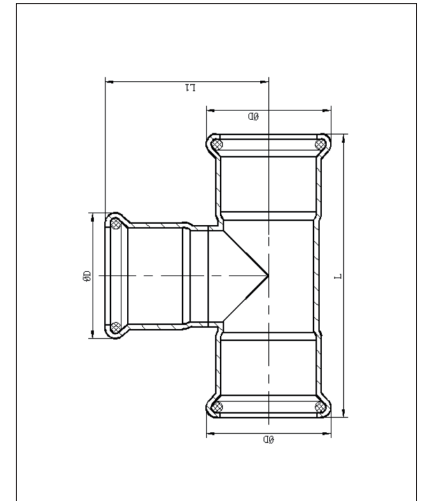
SSKM 109

Equal Tee

Connection: Press x press x press



CODE	SIZE	L	L1	ØD	QTY/CTN
SSKM109-T151515	15x15x15mm	68	37.9	23.3	80
SSKM109-T222222	22x22x22mm	74	43	31.6	40
SSKM109-T282828	28x28x28mm	84	48.7	37.2	24
SSKM109-T353535	35x35x35mm	104	57.5	44	12
SSKM109-T424242	42x42x42mm	116	67	53.3	8
SSKM109-T545454	54x54x54mm	141	77	65.4	4



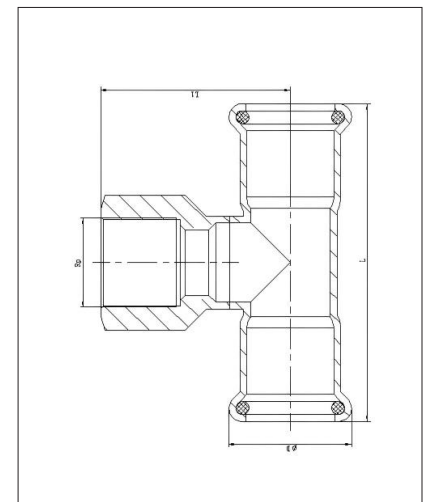
SSKM 120

Female Reducing Tee

Connection: Press x press x press



CODE	SIZE	L	L1	ØD	ØD1	QTY/CTN
SSKM120-T1512F15	15x1/2x15mm	68	39	23.3	1/2	60
SSKM120-T2212F22	22x1/2x22mm	74	42.5	31.6	1/2	40
SSKM120-T2234F22	22x3/4x22mm	74	42.5	31.6	3/4	40
SSKM120-T2812F28	28x1/2x28mm	84	45.5	37.2	1/2	30
SSKM120-T2834F28	28x3/4x28mm	84	45.5	37.2	3/4	20
SSKM120-T3512F35	35x1/2x35mm	103.7	48	44	1/2	16
SSKM120-T3534F35	35x3/4x35mm	103.7	48	44	3/4	16
SSKM120-T4212F42	42x1/2x42mm	116	51.5	53.3	1/2	8
SSKM120-T4234F42	42x3/4x42mm	116	51.5	53.3	3/4	24
SSKM120-T5412F54	54x1/2x54mm	141	57.5	65.4	1/2	7
SSKM120-T5434F54	54x3/4x54mm	141	57.5	65.4	3/4	12



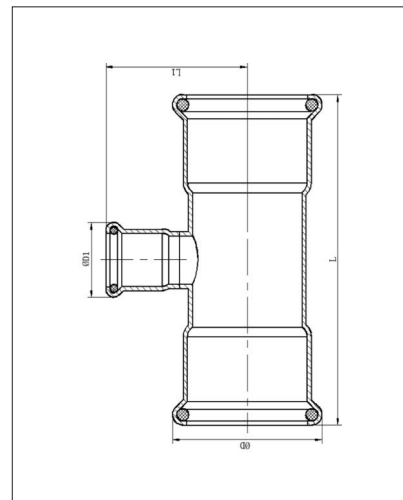
SSKM 110

Reducing

Connection: Press x press x press



CODE	SIZE	L	L1	ØD	ØD1	QTY/CTN
SSKM110-T221522	22x15x22mm	74	41.4	31.6	23.3	40
SSKM110-T281528	28x15x28mm	84	44.4	37.2	23.3	30
SSKM110-T282228	28x22x28mm	84	46	37.2	31.4	30
SSKM110-T352235	35x22x35mm	104	48	44	31.4	16
SSKM110-T352835	35x28x35mm	104	50.7	44	37.1	16
SSKM110-T422242	42x22x42mm	116	52	53.3	31.4	12
SSKM110-T422842	42x28x42mm	116	54.7	53.3	37.1	8
SSKM110-T423542	42x35x42mm	116	61	53.3	44	8
SSKM110-T542254	54x22x54mm	141	58	65.4	31.4	6
SSKM110-T542854	54x28x54mm	141	60.7	65.4	37.1	6
SSKM110-T543554	54x35x54mm	141	67	65.4	44	6
SSKM110-T544254	54x42x54mm	141	73	65.4	53.3	6



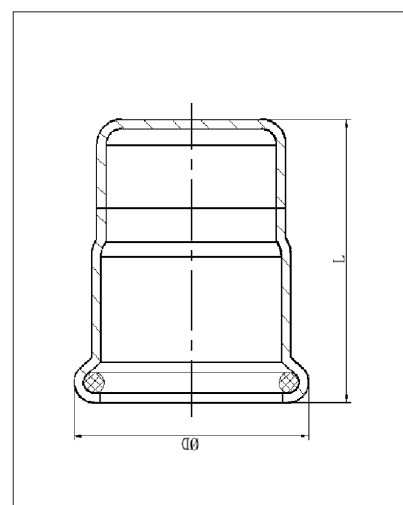
SSKM 111

End cap

Connection: Press



CODE	SIZE	L	ØD	QTY/CTN
SSKM111-D15	15mm	38.4	23.3	300
SSKM111-D22	22mm	42	31.6	120
SSKM111-D28	28mm	44.7	37.2	70
SSKM111-D35	35mm	51	44	60
SSKM111-D42	42mm	56.9	53.3	30
SSKM111-D54	54mm	60.9	65.4	16



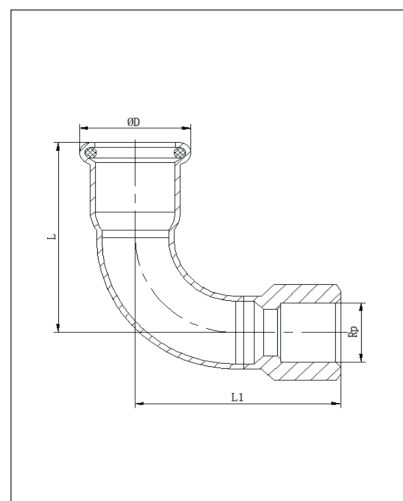
SSKM 114

Female Elbow

Connection: Press x BSP female thread



CODE	SIZE	L	L1	ØD	Rp	QTY/CTN
SSKM114-L1512F	15x1/2	44	49	23.2	1/2	60
SSKM114-L2811F	28x1	65.4	65.8	37.2	1	30



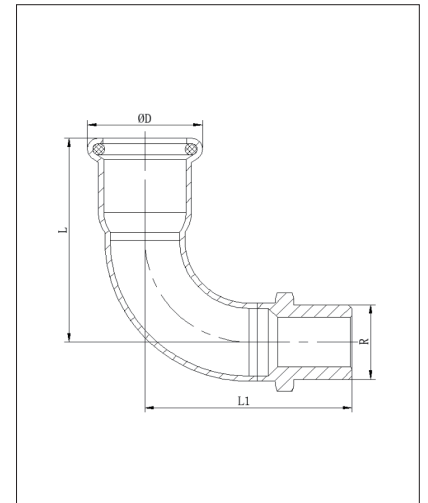
SSKM 115

Male Elbow

Connection: Press x BSP male thread



CODE	SIZE	L	L1	ØD	R	QTY/CTN
SSKM115-L1512M	15x1/2	44	47.5	23.2	1/2	60
SSKM115-L2234M	22x3/4	57.4	59.9	31.6	3/4	40
SSKM115-L2811M	28x1	65.4	71.3	37.2	1	25
SSKM115-L3511M	35x1	80.6	75.1	44	1	12
SSKM115-L5421M	54x2	115.2	117.6	65.4	2	10



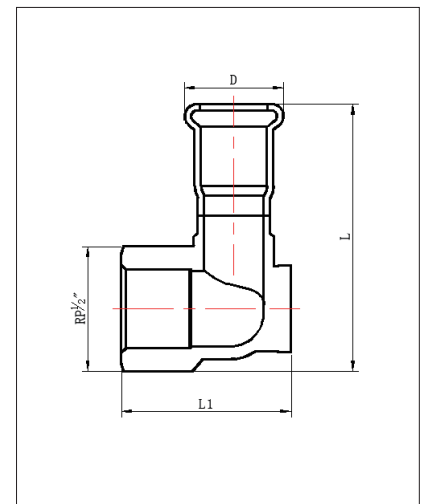
SSKM 116

Female Wallplate

Connection: Press x female thread



CODE	SIZE	L	L1	ØD	QTY/CTN
SSKM116-L1512F	15x1/2	60.4	40	23.3	60



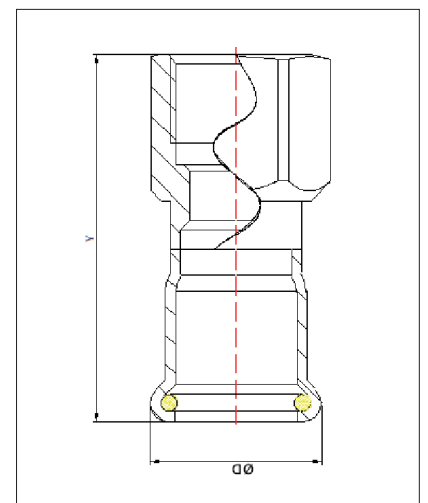
SSKM 117

Straight Female Adaptor

Connection: Press x BSP Female thread



CODE	SIZE	Y	ØD	QTY/CTN
SSKM117-S1512F	15x1/2F	50.4	23.3	100
SSKM117-S2212F	22x1/2F	50.5	31.6	80
SSKM117-S2234F	22x3/4F	52	31.6	60
SSKM117-S2834F	28x3/4F	60	37.2	50
SSKM117-S2811F	28x1F	56.7	37.2	40
SSKM117-S3511F	35x1F	63	44	36
SSKM117-S35114F	35x1-1/4F	65	44	25
SSKM117-S42112F	42x1-1/2F	74	53.3	16
SSKM117-S5421F	54x2F	80	65.4	10



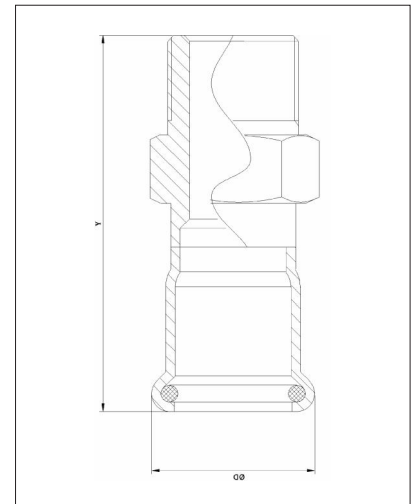
SSKM 118

Straight MI Adaptor

Connection: Press x BSP male thread



CODE	SIZE	Y	ØD	QTY/CTN
SSKM118-S1512M	15x1/2mm	52.4	23.3	120
SSKM118-S2212M	22x1/2mm	59	31.6	100
SSKM118-S2234M	22x3/4mm	52	31.6	80
SSKM118-S2211M	22x1mm	62.5	31.6	50
SSKM118-S2834M	28x3/4mm	61	37.2	50
SSKM118-S2811M	28x1mm	59.2	37.2	50
SSKM118-S3511M	35x1mm	65.5	44	36
SSKM118-S35114M	35x1-1/4mm	72	44	24
SSKM118-S42112M	42x1-1/2mm	78	53.3	20
SSKM118-S5421M	54x2mm	84	65.4	10



SSKM 119

Tap Connector

Connection: Press x female union



CODE	SIZE	L	ØD	G	QTY/CTN
SSKM119-S1512F	15xG1/2	46	23.3	1/2	120
SSKM119-S2234F	22xG3/4	65.5	31.6	3/4	60
SSKM119-S2211F	22xG1	49.5	31.6	1	60
SSKM119-S2811F	28xG1	66.7	37.2	1	50

